



KITCHEN APPLIANCE LIFTS **UNILIFT**

⚡ 230 V ~ 50 Hz 230 VA

⬆️ 3.6 cm / sec.

⬆️ 57.5 cm

⬇️ kg 20 kg

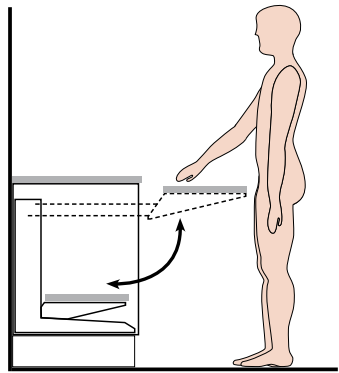
CE



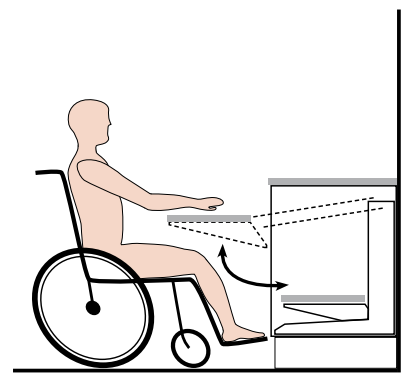
~The unilift is simply mounted in the base of a lower kitchen cabinet and can lift heavy kitchen appliances quickly and easily.

~The unilift allows small appliances like blenders and microwaves to be stored out of sight. With the push of a button, the appliance raises to meet you and can stop at any height.

FUNCTION



UNILIFT raises a panel from the bottom of a kitchen floor or wall cabinet to the desired working height. It can be used to lift food processors, microwaves or other household appliances.



PLANNING

- When planning, note the following points:
- Suitable for cabinet widths 40, 50 and 60 cm.
 - Electrical connection to be located in the cabinet or close to it.

INSTALLATION

- It is screwed to the base and wall of the cabinet.
- The control unit is plugged into the wall socket

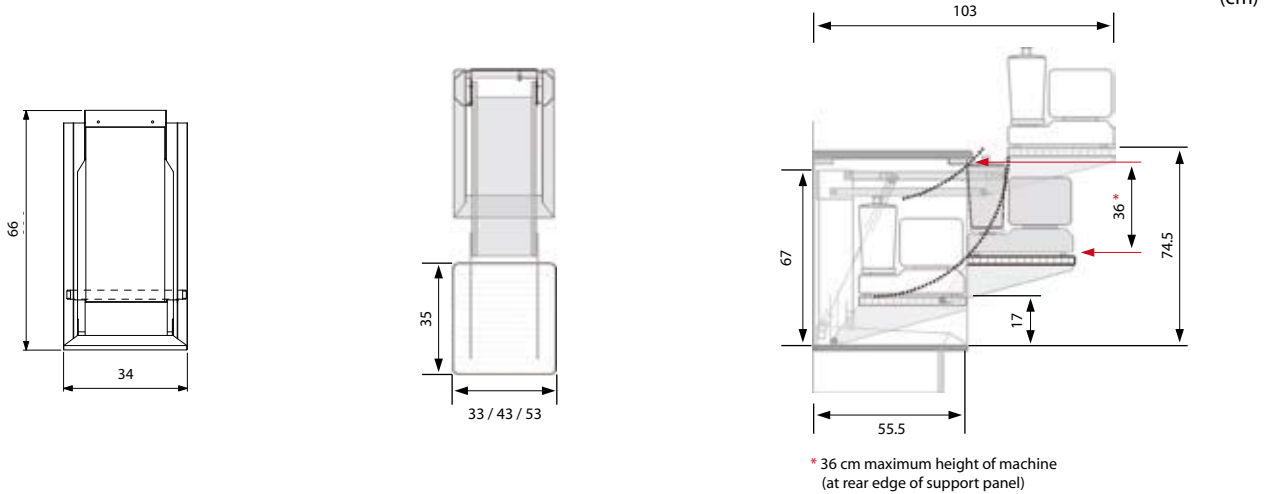





KITCHEN APPLIANCE LIFTS

UNILIFT

TECHNICAL SPECIFICATIONS



		Cabinet width	Width, panel		Art. no.		
	UNILIFT						
	Incl. cable hand control and 3 cm panel in solid beech						
		40	33		870-04063		
		50	43		870-05063		
		60	53		870-06063		