

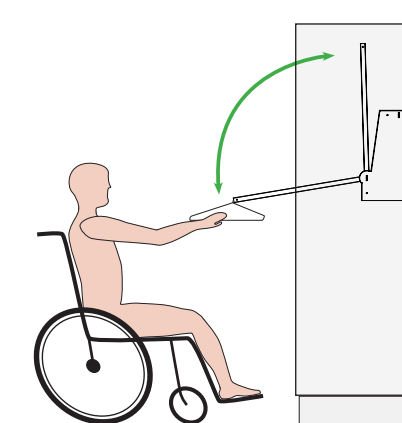
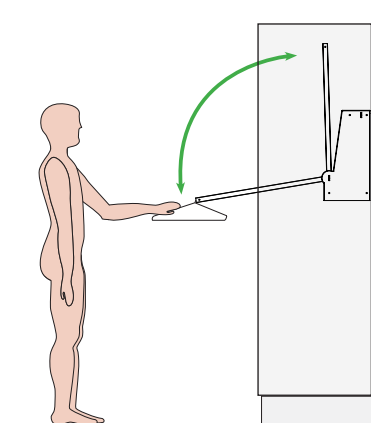
CLOTHES RAIL LIFTS

COATLIFT



- ~The closet lift is simply fitted into any closet or wardrobe and lowers clothes to within a comfortable reach for a seated person.
- ~Installation is quick and easy. The closet lift will fit wardrobes from ~24" to ~40"

FUNCTION



COATLIFT lowers the clothes rail in a curved movement down to a comfortable position.

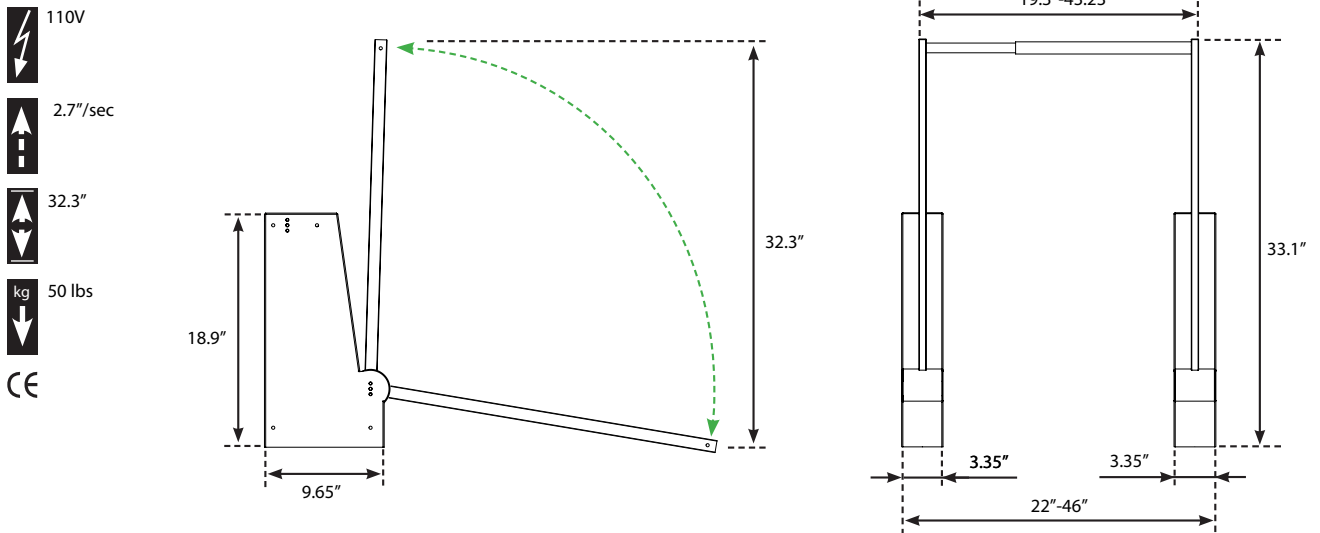




CLOTHES RAIL LIFTS **COATLIFT**

	Cabinet width	Width	Art. no.
	COATLIFT 717 incl. cable hand control		
	23.6"-27.6"	22"-26.3"	717-06063
	31.5"-47.2"	29.9"-46"	717-08063
	COATLIFT 717 incl. remote control		
Cable hand control Remote control	23.6"-27.6"	22"-26.3"	717-06062
	31.5"-47.2"	29.9"-46"	717-08062

TECHNICAL SPECIFICATIONS



PLANNING

- When planning, note the following points:
- The COATLIFT is available in two adjustable widths, 22" - 26.3" or 29.9" - 46".
 - Electrical connection to be located in the cabinet or close to it.

INSTALLATION

- The wardrobe is to be anchored to the wall to prevent it tipping forwards.
- Fit the lift on the lift inside the wardrobe.
- Adjust the width on the clothes rail.
- The control unit is plugged into the wall socket

