


**WALL CABINET LIFTS** **VERTI**

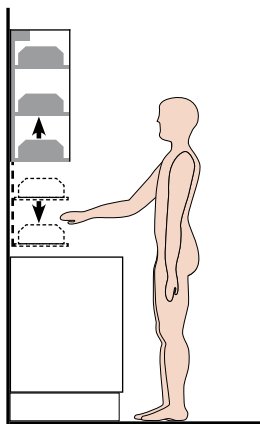
-  110 V
-  1.85"/sec
-  18.5"
-  88 lbs
- 



~The Verti is mounted inside the upper wall cabinet and works well with new or existing cabinets.

~With the push of a button, shelves and their contents are easily brought within reach.

FUNCTION



**VERTI** is mounted in new or existing wall cabinets from which the shelf and base have been removed.

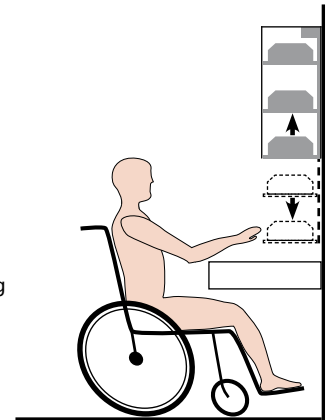
The shelves are lowered down to the work surface below.

**Control:**

The shelves are lowered down from the cabinet to the desired height simply by pushing a button. Choose between recessed control button or remote control.

**Safety:**

A safety trip panel is located beneath the bottom shelf and it stops the lift moving when it meets the slightest resistance. The top is fitted with trip protection to prevent items which are too tall being placed on the top shelf.




PLANNING

- When planning, note the following points:*
- Suitable for cabinets with lowest height 27.5".  
*(With taller cabinets, a fixed shelf can be placed above the lift unit).*
  - Verti available in two depths: 1.4" or 12.2"
  - Suitable for cabinet widths 15.7"- 39.4"
  - Check the condition of the wall (material, positioning of bolts).  
*Plaster walls must be strengthened.*
  - Will the cabinet have worktop lighting? (under the cabinet)
  - Which control unit is required?  
*An area of 3.5" x 3.5" is required for a recessed control button*

INSTALLATION

- The base, shelves and back of the cabinet are removed.
- The lift is screwed to the wall.
- The transformer is plugged into the wall socket.
- The control button is mounted in a convenient position.
- Light ramp can be mounted on safety trip panel.

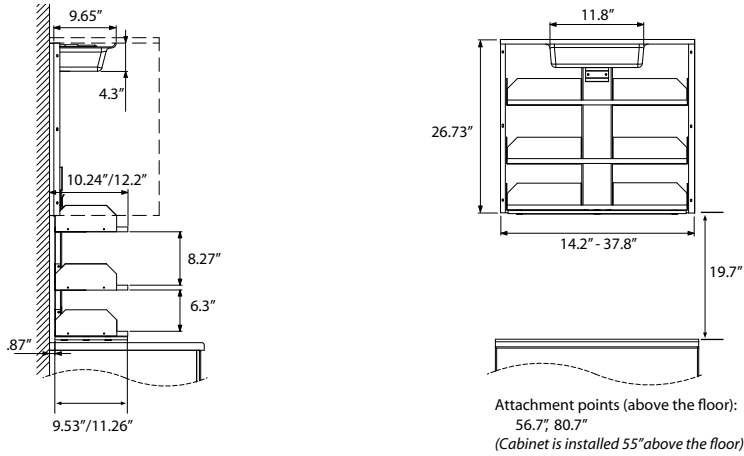
 *Leave free area in front for lowering to worktop*

 *Do not install outside wall cabinet*



**WALL CABINET LIFTS** **VERTI**

TECHNICAL SPECIFICATIONS



White back panel, white shelf base, white safety trip panel, ALU shelf sides and motor casing


	ID	Cabinet width	Shelf width	Depth	Art. no.		
<p><b>VERTI 830 white</b> <b>Incl. ALU control button</b></p>							
	Lift width 14.2"	<b>40</b>	15.75"	12.25"	10.4"	830-04001	A
	Lift width 18"	<b>50</b>	19.75"	16.25"	10.4"	830-05001	A
	Lift width 22"	<b>60</b>	23.75"	20.25"	10.4"	830-06001	A
	Lift width 26"	<b>70</b>	27.5"	24.25"	10.4"	830-07001	A
	Lift width 30"	<b>80</b>	31.5"	28"	10.4"	830-08001	A
	Lift width 33.8"	<b>90</b>	35.5"	32"	10.4"	830-09001	A
	Lift width 37.8"	<b>100</b>	39.5"	36"	10.4"	830-10001	A





**WALL CABINET LIFTS** **VERTI**

White back panel, white shelf base, white safety trip panel, ALU shelf sides and motor casing

		ID	Cabinet width	Shelf width	Depth	Art. no.		
	<b>VERTI 831 white Incl. ALU control button</b>							
	Lift width 14.2"	<b>40</b>	15.75"	12.25"	12.2"	831-04001	A	
	Lift width 18"	<b>50</b>	19.75"	16.25"	12.2"	831-05001	A	
	Lift width 22"	<b>60</b>	23.75"	20.25"	12.2"	831-06001	A	
	Lift width 26"	<b>70</b>	27.5"	24.25"	12.2"	831-07001	A	
	Lift width 30"	<b>80</b>	31.5"	28"	12.2"	831-08001	A	
	Lift width 33.8"	<b>90</b>	35.5"	32"	12.2"	831-09001	A	
	Lift width 37.8"	<b>100</b>	39.5"	36"	12.2"	831-10001	A	